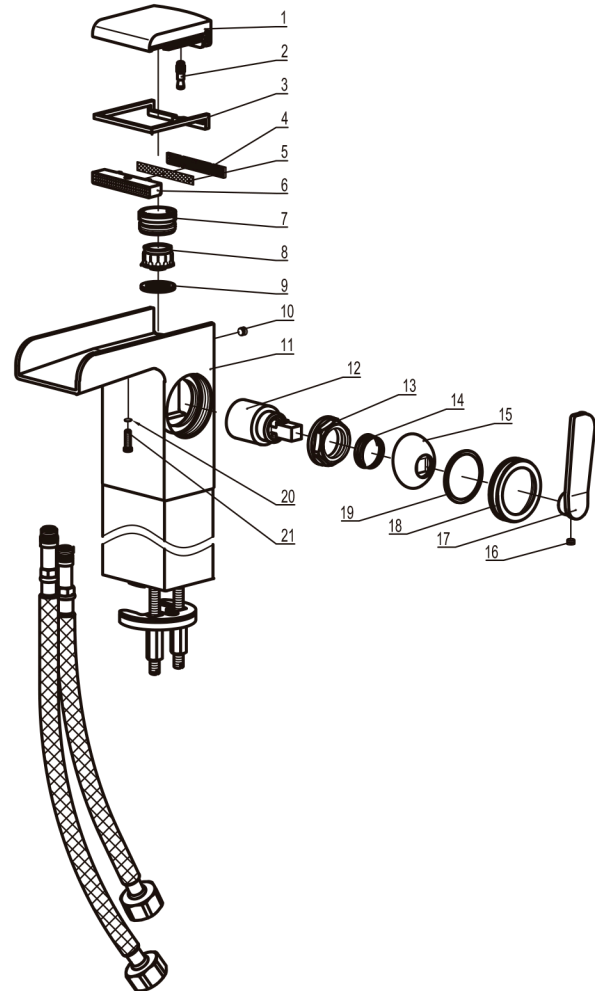




DIAGRAM NUMBER	DAX SKU	TITLE DESCRIPTION
1	FH 9825-02A	Seal cover
2	FH 9825-08A	M6 screw rod
3	FH 9825-03A	Rubber seal ring
4	FH 9825-05	Filter
5	FH 9825-07	Filter
6	FH 9825-06	Water segregator
7	FH TQ41-02	Spout inner collar
8	FH TQ-07F	M24 aerator(constant flow control)
9	FH 2123-28	Spout washer
10	FH TJ-30504	M5 x 4 Internal Hex flat end locking screw
11	FH 9825-01	Body
12	FH SEDAL-25	Ø1" cartridge
13	FH DB-15	Decorative ring
14	FH D25-05	Spring
15	FH D25-04A	Decorative ring
16	FH TJ-30503	M5X3 Internal Hex flat end locking screw
17	FH D66-01	Handle
18	FH D66-02	Locknut
19	FH D25-03	Plastic ring
20	MF 0610	4 x 1" O-ring
21	FH 9825-09	M4 screw



For parts or sale requirements please contact our customer service department:

 CS@daxib.com

 1 888 685 8236